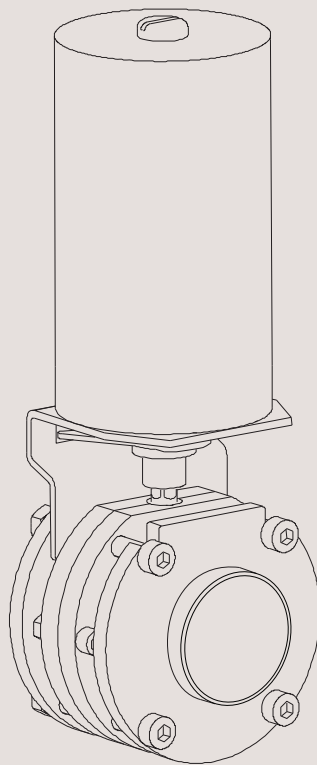


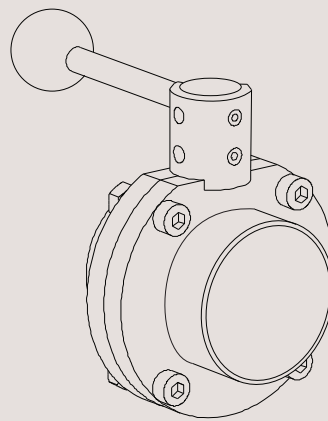


## Spare Parts

### LKB Automatic and Manual Butterfly Valve



TD 403-262\_1



TD 403-263

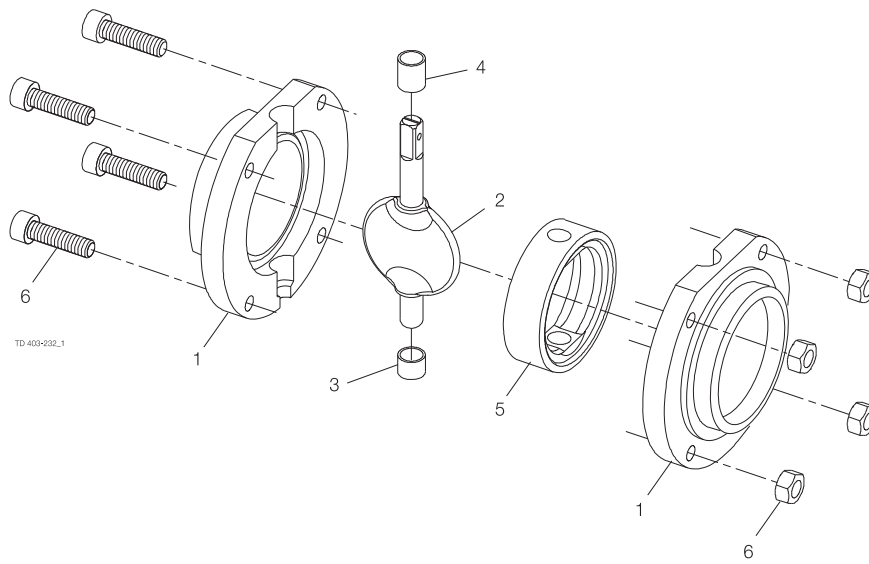
ESE00779-EN9 2017-07

Original manual



*The information herein is correct at the time of issue but may be subject to change without prior notice*

1. LKB Butterfly Valve, ISO .....	4
2. LKB-2 Butterfly Valve, DIN .....	6
3. LKB-F Butterfly Valve, ISO .....	8
4. LKB-F Butterfly Valve, DIN .....	10
5. LKB Lockable Multiposition Handle for Valve .....	12
6. LKB Handle 1.1 for Butterfly Valve .....	14
7. Handle 1.1 for Indication Unit .....	16
8. Handle for Tri-Clover Butterfly Valves Series G .....	18
9. LKLA actuator air/spring (NC-NO) ø85 .....	20
10. LKLA actuator air/air ø85 .....	22
11. LKLA actuator air/air DN125-150 ø85 .....	24
12. LKLA actuator air/spring (NC-NO) ø133 .....	26
13. LKLA actuator air/air ø133 .....	28
14. LKLA-T actuator air/spring (NC-NO) ø85 .....	30
15. LKLA-T actuator air/air ø85 .....	32
16. LKLA-T actuator air/air DN125-150 ø85 .....	34
17. LKLA-T actuator air/spring (NC-NO) ø133 .....	36
18. LKLA-T actuator air/air ø133 .....	38



LKB Butterfly Valve, ISO

Pos	Qty	Denomination	25 mm Disc □ 8	38 mm Disc □ 8	51 mm Disc □ 8
1	2	Valve body half, (AISI 304L)	9611443650	9611443220	9611443230
	2	Valve body half, (AISI 316L)	9611443651	9611443221	9611443231
2	1	Disc, (AISI 304)	9611413680	9611411690	9611411770
	1	Disc, (AISI 316L)	9611413681	9611411691	9611411771
	1	Disc, 12 (AISI 304)			
	1	Disc, 12 (AISI 316L)			
3 □	1	Bush	9611411810	9611411730	9611411810
4 □	1	Bush	9611413760	9611411730	9611411810
5 □	1	Seal ring, (EPDM)	9611414130	9611414090	9611414100
	1	Seal ring, (Silicone Q)	9611413720	9611411740	9611411820
	1	Seal ring, (Viton FPM)	9611414133	9611414093	9611414103
	1	Seal ring, (HNBR)	9611414134	9611414094	9611414104
	1	Seal ring, (PFA)		9612900501	9612900601
6	1	Set of screws, M6 + Nut M6	9611417340	9611417340	
	1	Set of screws, M8 + Nut M8			9611417350

Pos	Qty	Denomination	63.5 mm Disc □ 8	76 mm Disc □ 10	101.6 mm Disc □ 10	101.6 mm Disc □ 12
1	2	Valve body half, (AISI 304L)	9611443240	9611443070	9611413250	9611413250
	2	Valve body half, (AISI 316L)	9611443241	9611443071	9611413251	9611413251
2	1	Disc, (AISI 304)	9611411850	9611411930		
	1	Disc, (AISI 316L)	9611411851	9611411931		
	1	Disc, 12 (AISI 304)				9612046301
	1	Disc, 12 (AISI 316L)				9612046302
	1	Disc, 10 (AISI 316)				
3 □	1	Bush	9611411890	9611411970	9611412060	9611412060
4 □	1	Bush	9611411890	9611411970	9611412050	9611412050
5 □	1	Seal ring, (EPDM)	9611414110	9611414060	9611414120	9611414120
	1	Seal ring, (Silicone Q)	9611411900	9611411980	9611412070	9611412070
	1	Seal ring, (Viton FPM)	9611414113	9611414063	9611414123	9611414123
	1	Seal ring, (HNBR)	9611414114	9611414064	9611414124	9611414124
	1	Seal ring, (PFA)	9612900701	9612900801	9612900901	9612900901
6	1	Set of screws, M8 + Nut M8	9611417350	9611417360		
	1	Set of screws, M10 + Nut M10			9611417370	9611417370

25 mm DN25 Disc □ 8	38 mm DN40 Disc □ 8	51 mm DN50 Disc □ 8	63.5 mm DN65 Disc □ 8
---------------------------	---------------------------	---------------------------	-----------------------------

Service kits for product wetted parts

□	Service kit EPDM	9611923028	9611923029	9611923030	9611923031
□	Service kit Q	9611923034	9611923035	9611923036	9611923037
□	Service kit FPM	9611923040	9611923041	9611923042	9611923043
□	Service kit HNBR	9611923160	9611923161	9611923162	9611923163
□	Service kit PFA		9611923183	9611923184	9611923185

76mm DN80 Disc □ 10	101.6mm DN80 Disc □ 10	101.6mm DN100 Disc □ 10	101.6mm DN100 Disc □ 12	DN150 Disc □ 15
---------------------------	------------------------------	-------------------------------	-------------------------------	--------------------

Service kits for product wetted parts

□	Service kit EPDM	9611923032	9611923051	9611923033	9611923033	9611923046
□	Service kit Q	9611923038		9611923039	9611923039	9611923047
□	Service kit FPM	9611923044		9611923045	9611923045	9611923048
□	Service kit HNBR	9611923164		9611923165	9611923165	9611923197
□	Service kit PFA	9611923186		9611923187	9611923187	

NB: \* Disc connection □ 10 for 101.6 mm and DN100 is no longer available. Please rebuild the air actuator or/and handle to: disc connection □ 12

1) Seal ring is delivered assembled with disc.

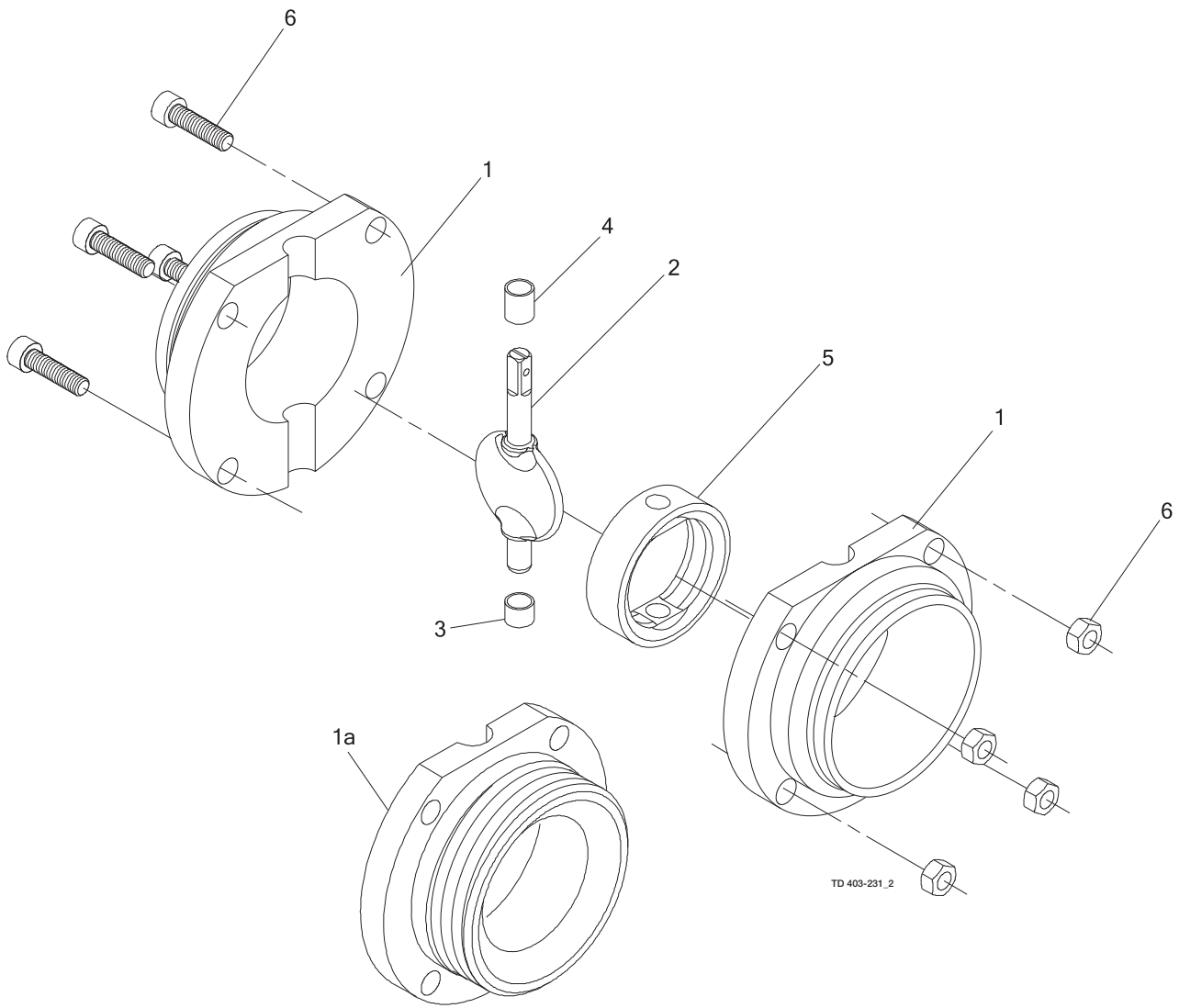
Reg. 2.14.1 9805 / Intro. 8001

NOTE!!

Lubricate the pin holes in the seal (5) with Klüber Paraliq GTE 703 or similar. Very important for Q and FPM.

Parts marked with □ are included in the service kits. Recommended spare parts: Service kits.

900069/3



# LKB-2 Butterfly Valve, DIN

For valves with bushes (Period 9301-)

Pos	Qty	Denomination	DN 25	DN 32	DN 40	DN 50
			Disc □ 8	Disc □ 8	Disc □ 8	Disc □ 8
1	2	Valve body half, welding (AISI 304L)	9612323601	9612323701	9612323801	9612323901
	2	Valve body half, welding (AISI 316 L)	9612323602	9612323702	9612323802	9612323902
1a	2	Valve body half, male part (AISI 304L)	9612324301	9612324401	9612324501	9612324601
	2	Valve body half, male part (AISI 316 L)	9612324302	9612324402	9612324502	9612324602
2	1	Disc , (AISI 304)	9612073605	9612073705	9612073805	9612073905
	1	Disc , (AISI 316L)	9612073604	9612073704	9612073804	9612073904
3	□ 1	Bush	9611411810	9611411810	9611411810	9611411890
4	□ 1	Bush	9611411810	9611411810	9611411810	9611411890
5	□ 1	Seal ring, (EPDM)	9612070001	9612070101	9612070201	9612070301
		Seal ring, (Silicone Q)	9612070901	9612071001	9612071101	9612071201
6	1	Seal ring, (FPM)	9612071801	9612071901	9612072001	9612072101
		Seal ring, (HNBR)	9612070002	9612070102	9612070202	9612070302
		Seal ring, (PFA)			9611923203 <sup>1)</sup>	9612901101
		Set screw, M6 + Nut M6	9611417340	9611417340	9611417340	
	1	Set screw, M8 + Nut M8				9611417350

Pos	Qty	Denomination	DN 65	DN 80	DN 100	DN 125
			Disc □ 10	Disc □ 10	Disc □ 12	Disc □ 14
1	2	Valve body half, welding (AISI 304L)	9612324001	9612324101	9612324201	9612077401
	2	Valve body half, welding (AISI 316 L)	9612324002	9612324102	9612324202	9612077402
1a	2	Valve body half , male part (AISI 304L)	9612324701	9612324801	9612324901	9612077201
	2	Valve body half, male part (AISI 316 L)	9612324702	9612324802	9612324902	9612077202
2	1	Disc , (AISI 304)	9612074005	9612074105	9612074205	9612076905
	1	Disc , (AISI 316L)	9612074004	9612074104	9612074204	9612076904
3	□ 1	Bush	9611411890	9611411890	9611411970	9612078501
4	□ 1	Bush	9611411890	9611411890	9611411970	9612078501
5	□ 1	Seal ring, (EPDM)	9612070401	9612070501	9612070601	9612077101
		Seal ring, (Silicone Q)	9612071301	9612071401	9612071501	9612078301
6	1	Seal ring, (FPM)	9612072201	9612072301	9612072401	9612078401
		Seal ring, (HNBR)	9612070402	9612070502	9612070602	9612077102
		Seal ring, (PFA)	9612901201	9612901301	9612901401	
		Set screw, M8 + Nut M8	9611417360	9611417360		
	1	Set screw, M10 + Nut M10			9611417370	
	1	Set screw, M10 + Nut M10 (6pcs)				9611417770

DN25	DN32	DN40	DN50
Disc □ 8	Disc □ 8	Disc □ 8	Disc □ 8

## Service kits for product wetted parts

□	Service kit, EPDM	9611923075	9611923076	9611923077	9611923078
□	Service kit, Q	9611923083	9611923084	9611923085	9611923086
□	Service kit, FPM	9611923091	9611923092	9611923093	9611923094
□	Service kit, HNBR	9611923210	9611923211	9611923212	9611923213
□	Service kit, PFA			9611923191	9611923192

DN65	DN80	DN100	DN125
Disc □ 10	Disc □ 10	Disc □ 12	Disc □ 14

## Service kits for product wetted parts

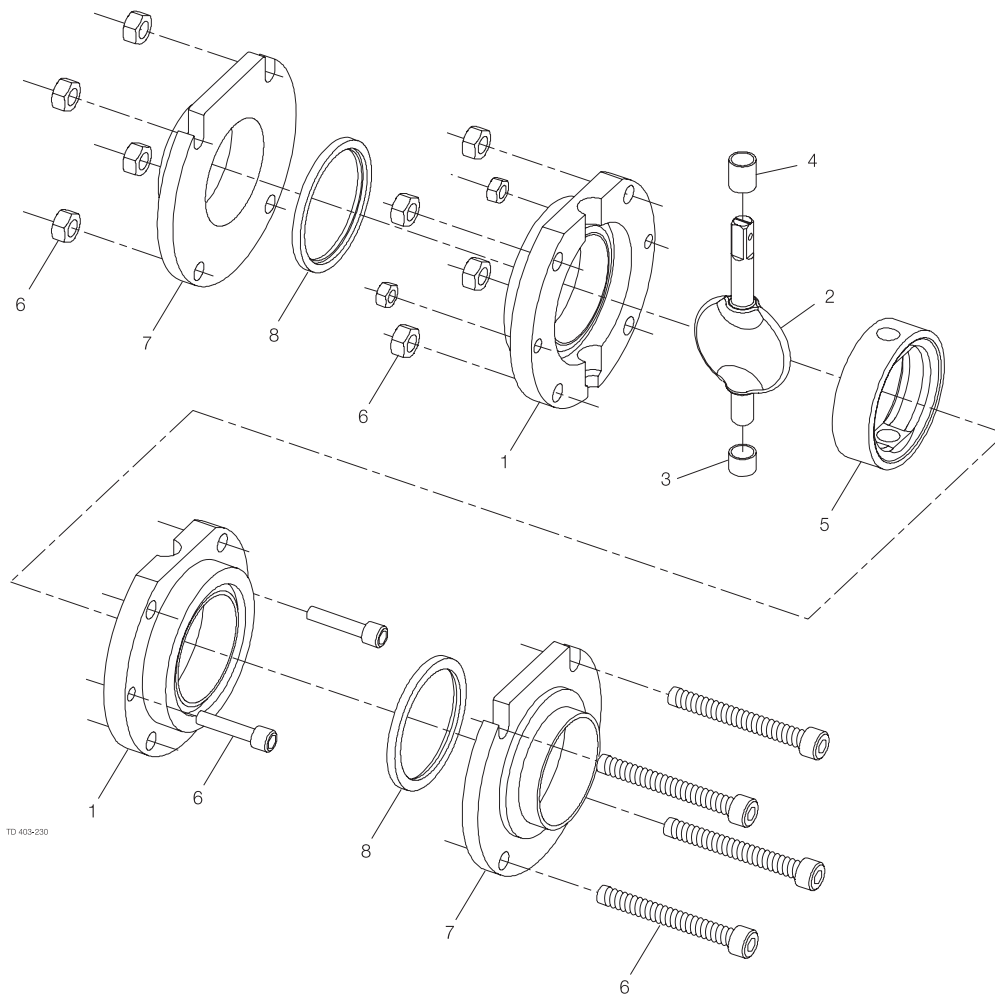
□	Service kit, EPDM	9611923079	9611923080	9611923081	9611923082
□	Service kit, Q	9611923087	9611923088	9611923089	9611923090
□	Service kit, FPM	9611923095	9611923096	9611923097	9611923098
□	Service kit, HNBR	9611923214	9611923215	9611923216	9611923217
□	Service kit, PFA	9611923193	9611923194	9611923195	

NB: <sup>1)</sup>Seal ring is delivered assembled with disc.

### NOTE!!

Lubricate the pin holes in the seal (5) with Klüber Paraliq GTE 703 or similar. Very important for Q and FPM.

Parts marked with □ are included in the service kits. Recommended spare parts: Service kits.





# LKB-F Butterfly Valve, ISO

## LKB-F ISO

Pos	Qty	Denomination	25 mm	38 mm	51 mm	63.5 mm	76 mm	101.6 mm
			Disc □ 8	Disc □ 8	Disc □ 8	Disc □ 8	Disc □ 10	Disc □ 12
1	2	Valve body half, welding , (AISI 316 L) .....	9612402410	9612402411	9612402412	9612402413	9612402414	9612402415
	2	Valve body half, welding , (AISI 304) .....	9612402410	9612402411	9612402412	9612402413	9612402414	9612402415
2	1	Disc, (AISI 304) .....	9611413680	9611411690	9611411770	9611411850	9611411930	9612046301
	1	Disc, (AISI 316L) .....	9611413681	9611411691	9611411771	9611411851	9611411931	9612046302
3	□	Bush .....	9611411810	9611411730	9611411810	9611411890	9611411970	9611412060
4	□	Bush .....	9611413760	9611411730	9611411810	9611411890	9611411970	9611412050
5	□	Seal ring, (EPDM) .....	9611414130	9611414090	9611414100	9611414110	9611414060	9611414120
	1	Seal ring, (Silicone Q) .....	9611413720	9611411740	9611411820	9611411900	9611411980	9611412070
	1	Seal ring, (FPM) .....	9611414133	9611414093	9611414103	9611414113	9611414063	9611414123
	1	Seal ring, (HNBR) .....	9611414134	9611414094	9611414104	9611414114	9611414064	9611414124
	1	Seal ring, (PFA on EPDM) .....		96119232021	9612900601	9612900701	9612900801	9612900901
6	1	Set of screws and nuts .....	9612400101	9612400101				
	1	Set of screws and nuts .....			9612400102	9612400102		
	1	Set of screws and nuts .....					9612400103	
	1	Set of screws and nuts .....						9612400104
7	2	Flange, (AISI 316L) .....	9612402510	9612402511	9612402512	9612402513	9612402514	9612402515
	2	Flange, (AISI 304) .....	9612402510	9612402511	9612402512	9612402513	9612402514	9612402515
8	□	2 Seal ring, (EPDM) .....	9612402631	9612402632	9612402633	9612402634	9612402635	9612402636
		2 Seal ring, (Silicone Q) .....	9612402641	9612402642	9612402643	9612402644	9612402645	9612402646
		2 Seal ring, (FPM) .....	9612402651	9612402652	9612402653	9612402654	9612402655	9612402656
		2 Seal ring, (HNBR) .....	9612402661	9612402662	9612402663	9612402664	9612402665	9612402666

25 mm	38 mm	51 mm	63.5 mm	76 mm	101.6 mm
Disc 8	Disc 8	Disc 8	Disc 8	Disc 10	Disc 12

### Service kits for product wetted parts

□	Service kit, EPDM .....	9611923058	9611923059	9611923060	9611923061	9611923062	9611923063
□	Service kit, Silicone (Q) .....	9611923064	9611923065	9611923066	9611923067	9611923068	9611923069
□	Service kit, FPM .....	9611923070	9611923071	9611923072	9611923073	9611923074	9611923099
□	Service kit, HNBR .....	9611923310	9611923311	9611923312	9611923313	9611923314	9611923315

Parts marked with □ are included in the service kits.

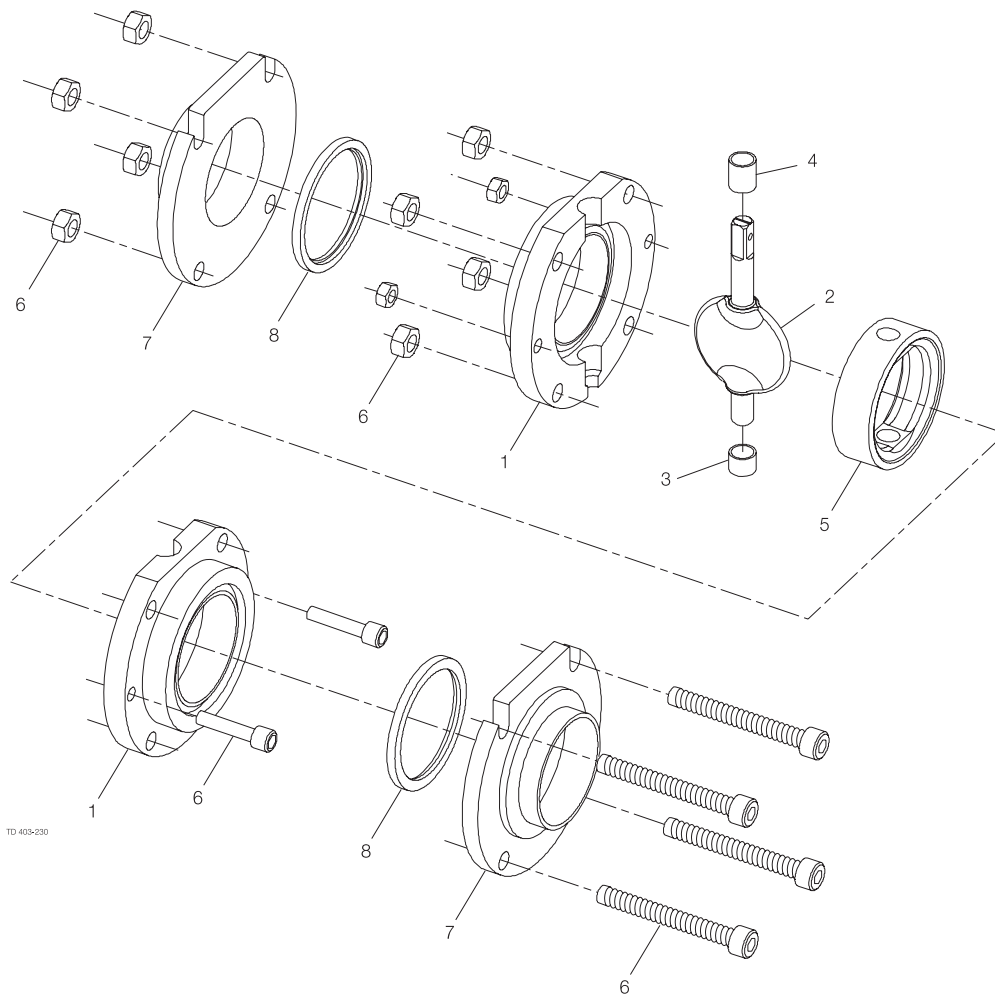
Recommended spare parts: Service kits.

NB:

\* Disc connection □ 10 for 101.6 mm and DN 100 is no longer available. Please rebuild the air-actuator or/and handle to: disc connection □ 12

1) Seal ring is delivered assembled with disc.

900529/2



TD 403-230

# LKB-F Butterfly Valve, DIN

## LKB-F DIN

Pos	Qty	Denomination	DN 25	DN 32	DN 40	DN 50
			Disc □ 8	Disc □ 8	Disc □ 8	Disc □ 8
1	2	Valve body half, welding (AISI 316 L)	9612402401	9612402402	9612402403	9612402404
	2	Valve body half, welding (AISI 304)	9612402416	9612402417	9612402418	9612402419
2	1	Disc, (AISI 316L)	9612073604	9612073704	9612073804	9612073904
3 □	1	Bush	9611411810	9611411810	9611411810	9611411890
4 □	1	Bush	9611411810	9611411810	9611411810	9611411890
5 □	1	Seal ring, (EPDM)	9612070001	9612070101	9612070201	9612070301
	1	Seal ring, (Silicone Q)	9612070901	9612071001	9612071101	9612071201
	1	Seal ring, (FPM)	9612071801	9612071901	9612072001	9612072101
	1	Seal ring, (PFA on EPDM)			9612923203 <sup>1)</sup>	9612901101
	1	Set of screws and nuts	9612400101	9612400101	9612400101	
6	1	Set of screws and nuts				9612400102
	2	Flange, (AISI 316L)	9612402501	9612402502	9612402503	9612402504
7	2	Flange, (AISI 304)	9612402516	9612402517	9612402518	9612402519
	2	Seal ring, (EPDM)	9612402601	9612402602	9612402603	9612402604
8 □	2	Seal ring, (Silicone, Q)	9612402611	9612402612	9612402613	9612402614
	2	Seal ring, (FPM)	9612402621	9612402622	9612402623	9612402624
	2	Seal ring, (FPM)				

Pos	Qty	Denomination	DN 65	DN 80	DN 100	DN 125	DN150
			Disc □ 10	Disc □ 10	Disc □ 12	Disc □ 14	Disc □ 15
1	2	Valve body half, welding (AISI 316 L)	9612402405	9612402406	9612402407	9612402408	9612402409
	2	Valve body half, welding (AISI 304)	9612402420	9612402421	9612402422	9612402423	9612402424
2	1	Disc, (AISI 316L)	9612074004	9612074104	9612074204	9612076904	9611413701
3 □	1	Bush	9611411890	9611411890	9611411970	9612078501	9611413790
4 □	1	Bush	9611411890	9611411890	9611411970	9612078501	9611413790
5 □	1	Seal ring, (EPDM)	9612070401	9612070501	9612070601	9612077101	9611414150
	1	Seal ring, (Silicone Q)	9612071301	9612071401	9612071501	9612078301	9611413740
	1	Seal ring, (FPM)	9612072201	9612072301	9612072401	9612078401	9611414153
	1	Seal ring, (PFA on EPDM)	9612901201	9612901301	9612901401		
	1	Set of screws and nuts	9612400103	9612400103			
6	1	Set of screws and nuts			9612400104		
	1	Set of screws and nuts				9612400105	
	1	Set of screws and nuts					9612400106
	1	Set of screws and nuts					9612400106
7	2	Flange, (AISI 316L)	9612402505	9612402506	9612402507	9612402508	9612402509
	2	Flange, (AISI 304)	9612402520	9612402521	9612402522	9612402523	9612402524
8 □	2	Seal ring, (EPDM)	9612402605	9612402606	9612402607	9612402608	9612402609
	2	Seal ring, (Silicone, Q)	9612402615	9612402616	9612402617	9612402618	9612402619
	2	Seal ring, (FPM)	9612402625	9612402626	9612402627	9612402628	9612402629

DN 25 Disc □ 8    DN 32 Disc □ 8    DN 40 Disc □ 8    DN 50 Disc □ 8

### Service kits for product wetted parts

□	Service kit, EPDM	9611923100	9611923101	9611923102	9611923103
□	Service kit, Silicone (Q)	9611923109	9611923110	9611923111	9611923112
□	Service kit, FPM	9611923118	9611923119	9611923120	9611923121

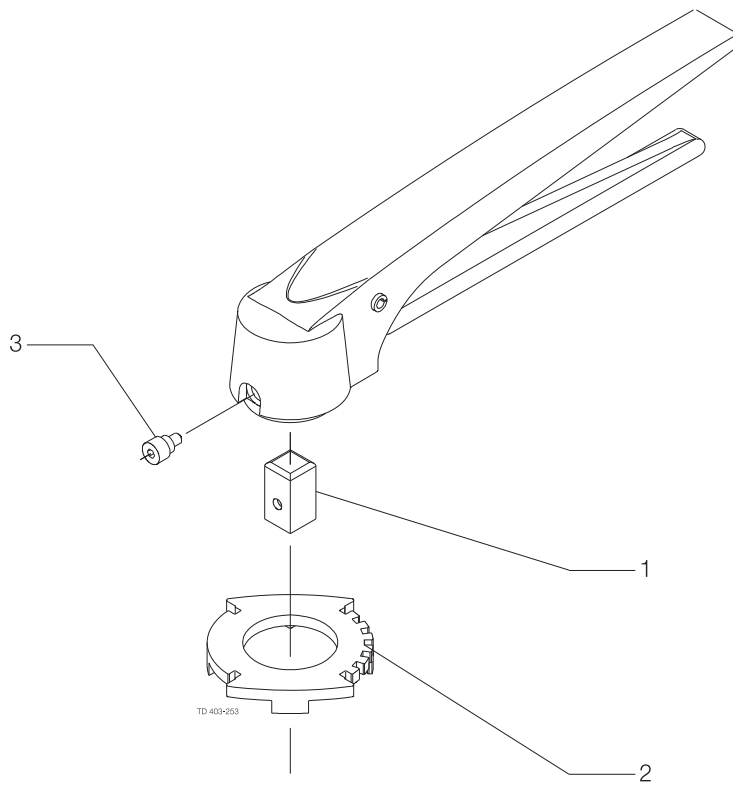
DN 65 Disc □ 10    DN 80 Disc □ 10    DN 100 Disc □ 12    DN 125 Disc □ 14    DN 150 Disc □ 15

□	Service kit, EPDM	9611923104	9611923105	9611923106	9611923107	9611923108
□	Service kit, Silicone (Q)	9611923113	9611923114	9611923115	9611923116	9611923117
□	Service kit, FPM	9611923122	9611923123	9611923124	9611923125	9611923126

Parts marked with □ are included in the service kits.

Recommended spare parts: Service kits.

<sup>1)</sup> Seal ring is delivered assembled with disc.



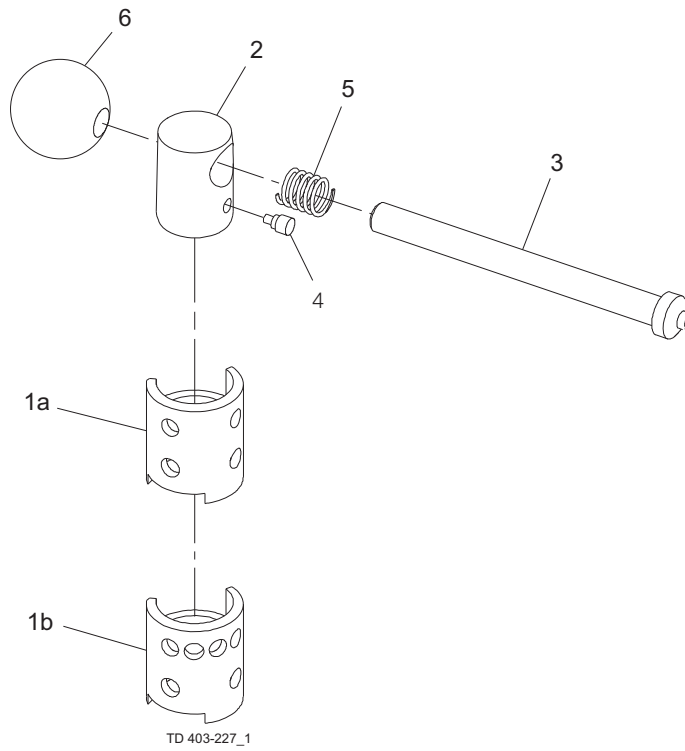
## LKB Lockable Multiposition Handle for Valve

---

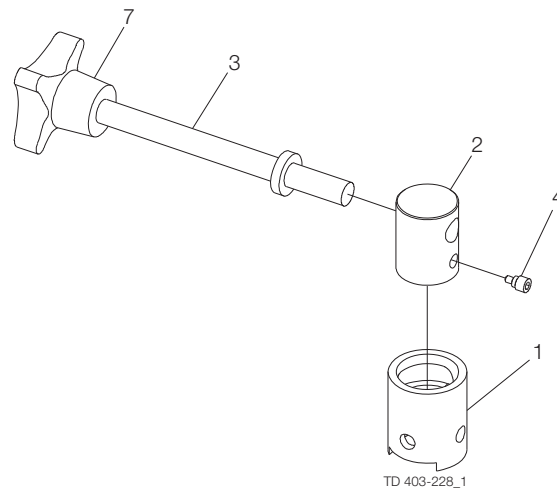
Pos	Qty	Denomination	Disc □ 8	Disc □ 10	Disc □ 12
1	1	Insert .....			
2	1	Positioning cap, (76-101.6 mm/DN65-100) .....			
		Positioning cap, (25-63.5 mm/DN25-50) .....			
3	1	Screw .....	9612045302	9612045301	9612045301

900530

Handle 1.1 for LKB butterfly valve



Handle 1.1 with infinite positions for LKB Butterfly valve



# LKB Handle 1.1 for Butterfly Valve

## Handle 1.1 for Butterfly valve LKB (standard)

Pos	Qty	Denomination	25 - 63.5 mm	76 mm	101.6 mm		
			DN 25 - 50	DN 65 - 80	DN 100	DN 125	DN 150
			Disc □ 8	Disc □ 10	Disc □ 12	Disc □ 14	Disc □ 15
1a	1	Location cap , with 2 pos. ....					
1b	1	Location cap , with 4 pos. ....					
2	1	Transfer block .....					
3	1	Handle .....					
4	1	Screw with pin .....	9612045201	9612045301	9612045301	9612045301	9612045301
5	1	Spring .....	9611991998	9611991998	9611991982	9612078101	9612365101
6	1	Ball .....	9611991970	9611991970	9611991981	9611992512	9611992713

## Handle 1.1 for Butterfly valve LKB (cap turned 90°)

Pos	Qty	Denomination	25 - 63.5 mm	76 mm	101.6 mm
			DN 25 - 50	DN 65 - 80	DN 100
			Disc □ 8	Disc □ 10	Disc □ 12
1a	1	Location cap turned 90° 2 pos. ....			
1b	1	Location cap turned 90° 4 pos. ....			
2	1	Transfer block .....			
3	1	Handle .....			
4	1	Screw with pin .....	9612045201	9612045301	9612045301
5	1	Spring .....	9611991998	9611991998	9611991982
6	1	Ball .....	9611991970	9611991970	9611991981

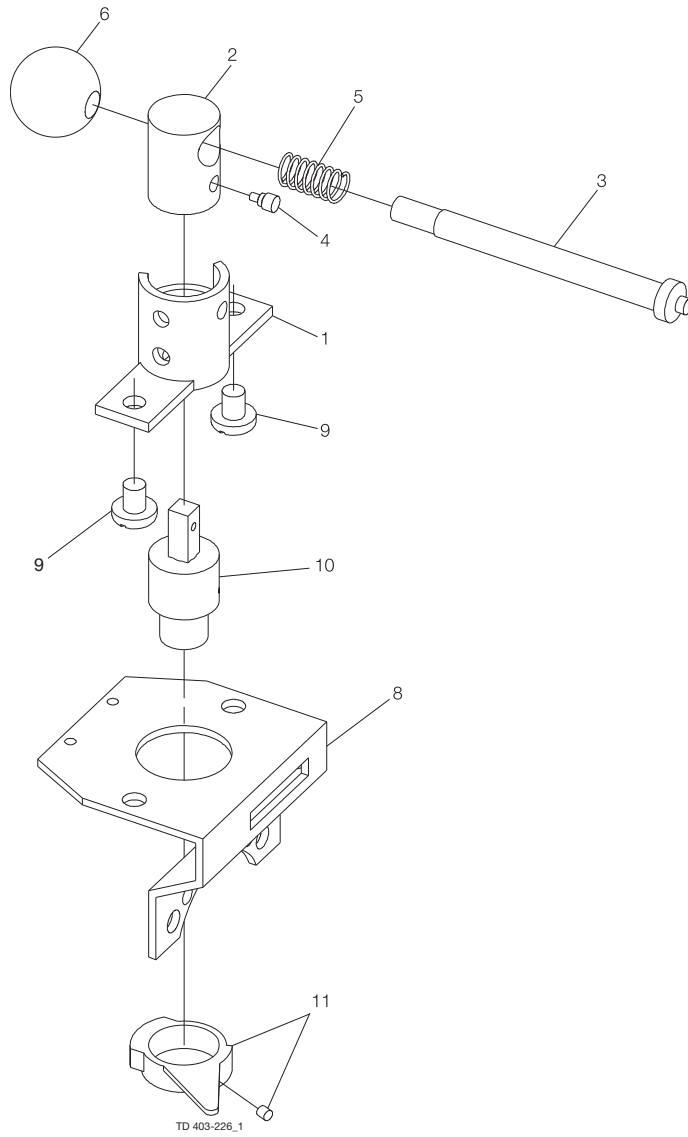
## Handle 1.1 with infinite positions for Butterfly valve LKB

Pos	Qty	Denomination	25 - 63.5 mm	76 mm	101.6 mm
			DN 25 - 50	DN 65 - 80	DN 100
			Disc □ 8	Disc □ 10	Disc □ 12
1	1	Location cap .....			
2	1	Transfer block .....			
3	1	Handle .....			
4	1	Screw with pin .....	9612045201	9612045301	9612045301
7	1	Crosshead .....			

NB:

- 1) Handle 1.1 with □ 10 connection can also be used for old version 101.6 mm DN 100 LKB valve.
- 1) Handle 1.1 with □ 8 connection can also be used for old version DN 65 LKB valve.

900265

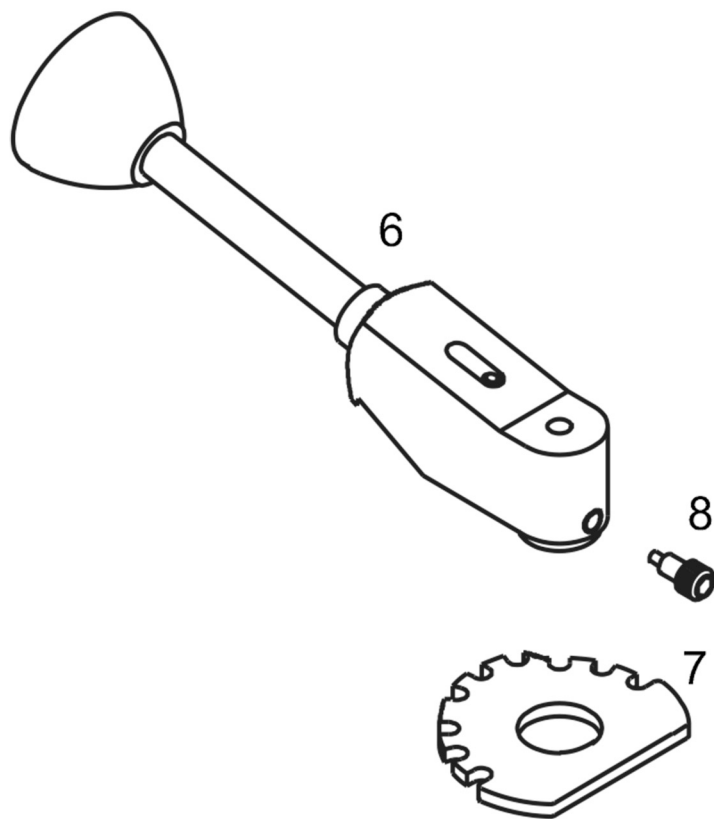




## Handle 1.1 for Indication Unit

Pos	Qty	Denomination	25 - 63.5 mm	76 mm	101.6 mm	DN 65
			DN 25-50 Disc □ 8	DN 80 Disc □ 10	DN 100 Disc □ 12	(LKB-DIN) Disc □ 10
1	1	Location cap with 2 pos. ....				
2	1	Transfer block .....				
3	1	Handle .....				
4	1	Screw with pin .....				
5	1	Spring .....	9612045201	9612045301	9612045301	9612045301
6	1	Ball .....	9611991998	9611991998	9611991982	9611991998
8	1	Bracket .....	9611991970	9611991970	9611991981	9611991970
8	1	Bracket .....	9611416470	9611416480	9611416480	9612081502
9	2	Screw .....	9611991686	9611991686	9611991686	9611991686
10	1	Coupling .....				
11	1	Activating ring with screw .....	9611416690	9611416690	9611416690	9611416690

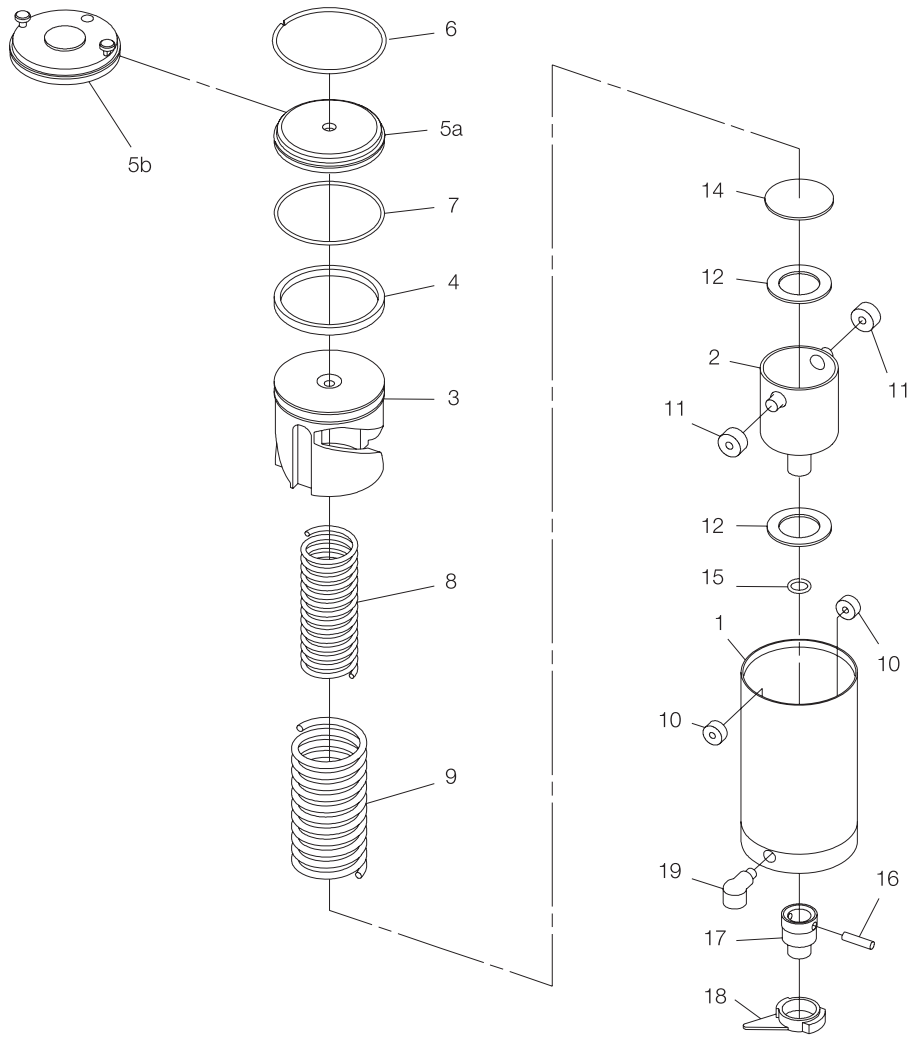
900167/1



## Handle for Tri-Clover Butterfly Valves Series G

---

Pos	Qty	Denomination	1"	1 1/2"	2"	2 1/2"	3"	4"
6	1	Handle .....	331015	331015	331015	331015	331016	331016
7	1	Stop Plate .....	331141C	331141C	331141C	331141C	331142C	331142C
8	1	Ret. Screw .....	330028	330028	330028	330028	330035	330035



TD 407-025

## LKLA actuator air/spring (NC-NO) ø85

Pos	Qty	Denomination	NC	NC	NC	NO	NO	NO
			25-63.5 mm DN 25-50 Disc □ 8	76 mm DN 65-80 Disc □ 10	101.6 mm DN 100 Disc □ 12	25-63.5 mm DN 25-50 Disc □ 8	76 mm DN 65-80 Disc □ 10	101.6 mm DN 100 Disc □ 12
1	1	Air cylinder .....	9611417580	9611417580	9611417580	9611417580	9611417580	9611417580
2	1	Rotating cylinder .....	9611416380	9611416380	9611416380	9611416380	9611416380	9611416380
3	1	Piston .....	9612194401	9612194401	9612194401	9612194301	9612194301	9612194301
4 □	1	O-ring, NBR .....	9611990052	9611990052	9611990052	9611990052	9611990052	9611990052
5a	1	End cap, (Period 0011-) .....	9611416330	9611416330	9611416330	9611416330	9611416330	9611416330
	1	End cap, (Period 8301-0011) ....	3135707401	3135707401	3135707401	3135707401	3135707401	3135707401
6	1	Retaining ring .....	9611402021	9611402021	9611402021	9611402021	9611402021	9611402021
7 □	1	O-ring, NBR .....	9611990396	9611990396	9611990396	9611990396	9611990396	9611990396
8	1	Inner spring .....	9611991629	9611991629	9611991629	9611991629	9611991629	9611991629
9	1	Outer spring .....	9611991631	9611991631	9611991631	9611991631	9611991631	9611991631
10 □	2	Needle bearing .....	9611991230	9611991230	9611991230	9611991230	9611991230	9611991230
11 □	2	Needle bearing .....	9611991231	9611991231	9611991231	9611991231	9611991231	9611991231
12 □	2	Thrust bearing .....	9611991236	9611991236	9611991236	9611991236	9611991236	9611991236
14	1	Thrust plate .....	9611416460	9611416460	9611416460	9611416460	9611416460	9611416460
15 □	1	O-ring, NBR .....	9611991233	9611991233	9611991233	9611991233	9611991233	9611991233
16	1	Connex pin .....	9611991235	9611991235	9611991235	9611991235	9611991235	9611991235
17	1	Coupling .....	9611416440	9611416450	9612044703	9611416440	9611416450	9612044703
18	1	Activating ring, Noryl with screw .	9611416690	9611416690	9611416690	9611416690	9611416690	9611416690
19	1	Water rejector (period 8310-) ....	9611417750	9611417750	9611417750	9611417750	9611417750	9611417750

### NC/NO for Altop

Pos	Qty	Denomination	NC	NC	NC	NO	NO	NO
			25-63.5 mm DN 25-50 Disc □ 8	76 mm DN 65-80 Disc □ 10	101.6 mm DN 100 Disc □ 12	25-63.5 mm DN 25-50 Disc □ 8	76 mm DN 65-80 Disc □ 10	101.6 mm DN 100 Disc □ 12
5b	1	End cap, Mark III .....	9611416740	9611416740	9611416740	9611416740	9611416740	9611416740

All other parts as above.

### Service kit for actuator

Service kits, air/spring ..... 9611923010

#### Note:

Butterfly valve 101.6 mm / DN100 sold before 8906 = □ 10 mm

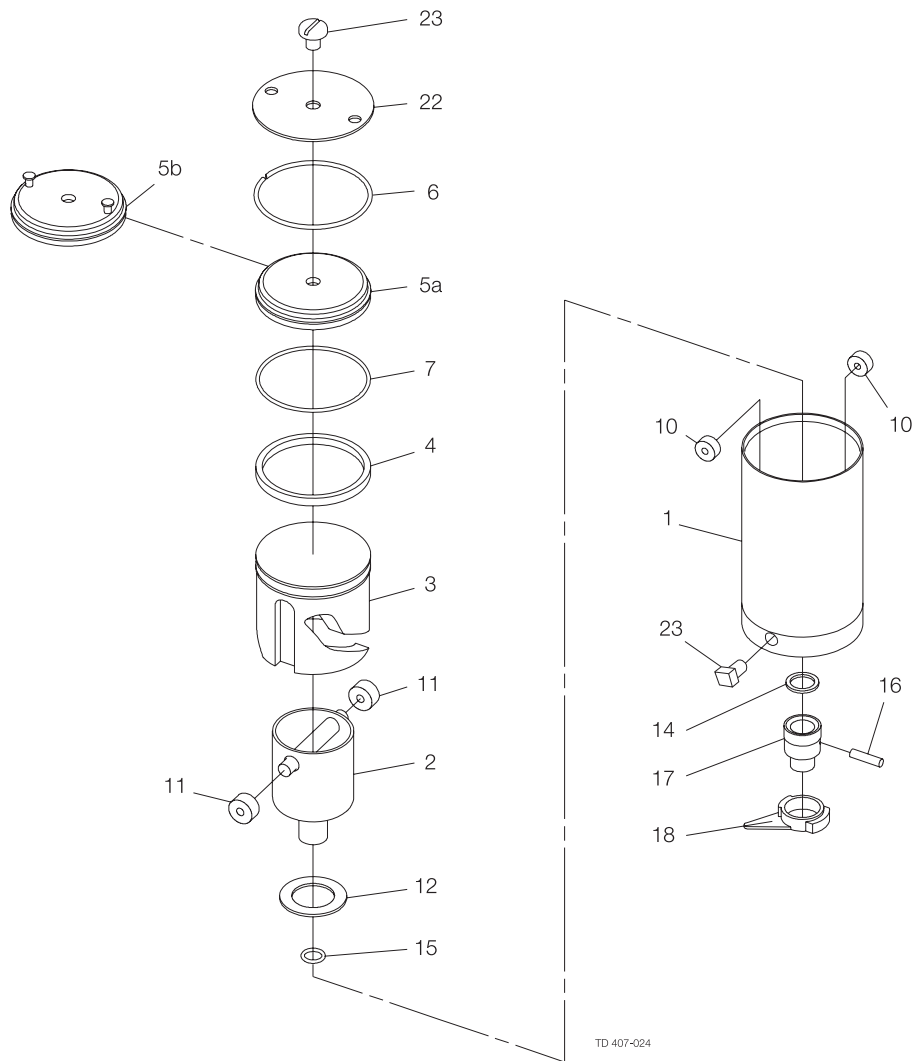
Butterfly valve DN 65 (ISO) sold before 8910 = □ 8 mm

Please check the square size of the disc when ordering spares.

Parts marked with □ are included in the service kit.

Recommended spare parts: Service kit.

900128/2



Pos	Qty	Denomination	25-63.5 mm	76 mm	101.6 mm
			DN 25-50 Disc □ 8	DN 65-80 Disc □ 10	DN 100 Disc □ 12
1	1	Air cylinder .....	9611417580	9611417580	9611417580
2	1	Rotating cylinder .....	9611417440	9611417440	9611417440
3	1	Piston .....	9611417520	9611417520	9611417520
4	□ 1	O-ring, NBR .....	9611990052	9611990052	9611990052
5a	1	End cap, (Period 0011-) .....	9611416330	9611416330	9611416330
	1	End cap, (Period 8301-0011) .....	3135707401	3135707401	3135707401
6	1	Retaining ring .....	9611402021	9611402021	9611402021
7	□ 1	O-ring, NBR .....	9611990396	9611990396	9611990396
10	□ 2	Needle bearing .....	9611991230	9611991230	9611991230
11	□ 2	Needle bearing .....	9611991231	9611991231	9611991231
12	□ 1	Thrust bearing .....	9611991236	9611991236	9611991236
14	1	Thrust plate .....	9611417570	9611417570	9611417570
15	□ 1	O-ring, NBR .....	9611991233	9611991233	9611991233
16	1	Connex pin .....	9611991235	9611991235	9611991235
17	1	Coupling .....	9611417550	9611417560	9612044802
18	1	Activating ring with screw .....	9611416690	9611416690	9611416690
22***	1	Retaining plate .....	9611414370	9611414370	9611414370
23	2	Threaded plug .....	9611991221	9611991221	9611991221

\*\*\* Up to 8910 supplied without holes, not available anymore

**Air/air for Altop**

Pos	Qty	Denomination	25-63.5 mm	76 mm	101.6 mm
			DN 25-50 Disc □ 8	DN 65-80 Disc □ 10	DN 100 Disc □ 12
5b	1	End cap, Mark III .....	9611416740	9611416740	9611416740

All other parts as above.

**Service kits for actuator**

Service kits, air/air ..... 9611923011

**Note:**

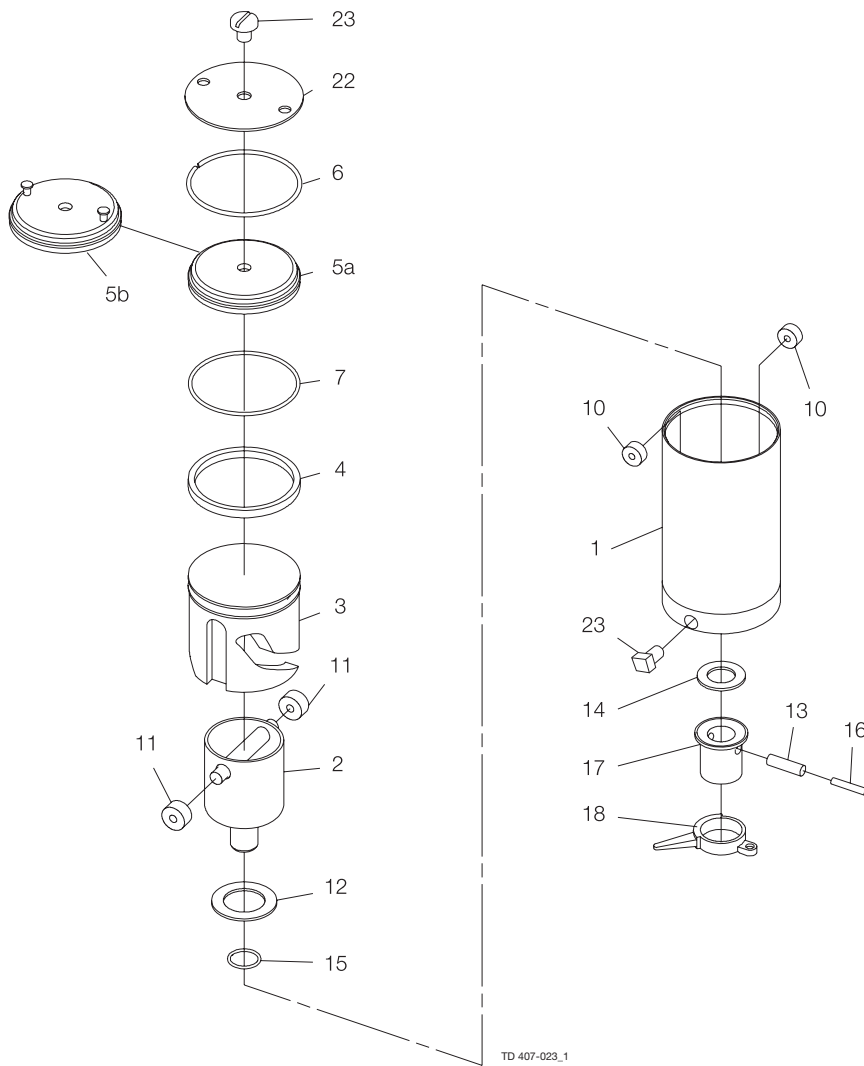
Butterfly valve 101.6 mm / DN100 sold before 8906 = □ 10 mm

Butterfly valve DN 65 (ISO) sold before 8910 = □ 8 mm

Please check the square size of the disc when ordering spares.

Parts marked with □ are included in the service kit.

Recommended spare parts: Service kit.





Pos	Qty	Denomination	DN 125	DN 150
			Disc □ 14	Disc □ 15
1	1	Air cylinder .....	9611417420	9611417420
2	1	Rotating cylinder .....	9611417440	9611417440
3	1	Piston .....	9611417520	9611417520
4	□ 1	O-ring, NBR .....	9611990052	9611990052
5a	1	End cap, (Period 0011-) .....	9611416330	9611416330
	1	End cap, (Period 8301-0011) .....	3135707401	3135707401
6	1	Retaining ring .....	9611402021	9611402021
7	□ 1	O-ring, NBR .....	9611990396	9611990396
10	□ 2	Needle bearing .....	9611991230	9611991230
11	□ 2	Needle bearing .....	9611991231	9611991231
12	□ 1	Thrust bearing .....	9611991236	9611991236
13	1	Connex pin .....	9611991314	9611991314
14	1	Thrust plate .....	9611417540	9611417540
15	□ 1	O-ring, NBR .....	9611990030	9611990030
16	1	Connex pin .....	9611991313	9611991313
17	1	Coupling .....	9612285602	9611417471
18	1	Activating ring with screw .....	9611416650	9611416650
22***	1	Retaining plate .....	9611414370	9611414370
23	2	Threaded plug .....	9611991221	9611991221

\*\*\* Up to 8910 supplied without holes, not available anymore

**Air/air for Altop**

Pos	Qty	Denomination	Disc □ 14	Disc □ 15
5b	1	End cap, Mark III .....	9611416740	9611416740

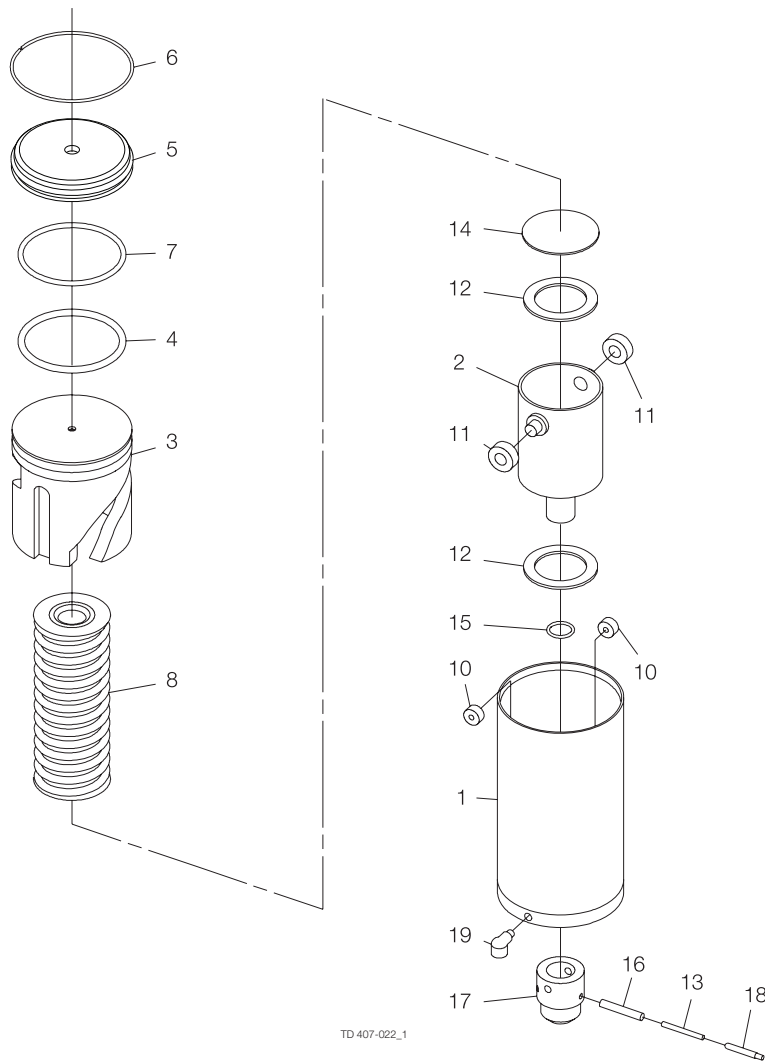
All other parts as above.

**Service kits for actuator**

Service kits, air/air .....	9611923012
-----------------------------	------------

Parts marked with □ are included in the service kit.

Recommended spare parts: Service kit.



LKLA actuator air/spring (NC-NO) ø133

Pos	Qty	Denomination	NC	NO	NC	NO	NC	NO
			101.6 mm DN 100 Disc □ 12	101.6 mm DN 100 Disc □ 12	DN 125 DN 125 Disc □ 14	DN 125 DN 125 Disc □ 14	DN 150 DN 150 Disc □ 15	DN 150 DN 150 Disc □ 15
1	1	Air cylinder .....	9612268501	9612268501	9612268501	9612268501	9612268501	9612268501
2	1	Rotating cylinder .....	9612267801	9612267801	9612267801	9612267801	9612267801	9612267801
3	1	Piston .....	9612270001	9612268001	9612270001	9612268001	9612270001	9612268001
4	□ 1	O-ring, NBR .....	9611992367	9611992367	9611992367	9611992367	9611992367	9611992367
5	1	End cap, (Period: 0011- ) .....	9612267501	9612267501	9612267501	9612267501	9612267501	9612267501
	1	End cap, (Period:9001 - 0011) ...	9612271401	9612271401	9612271401	9612271401	9612271401	9612271401
6	1	Retaining ring .....	9612268201	9612268201	9612268201	9612268201	9612268201	9612268201
7	□ 1	O-ring, NBR .....	9611990035	9611990035	9611990035	9611990035	9611990035	9611990035
8	1	Spring assembly .....	9612270101	9612270101	9612270101	9612270101	9612270101	9612270101
10	□ 2	Needle bearing .....	9611991231	9611991231	9611991231	9611991231	9611991231	9611991231
11	□ 2	Needle bearing .....	9611992355	9611992355	9611992355	9611992355	9611992355	9611992355
12	□ 2	Thrust bearing .....	9611992347	9611992347	9611992347	9611992347	9611992347	9611992347
13	1	Connex pin .....	9611992357	9611992357	9611992357	9611992357	9611992357	9611992357
14	1	Thrust plate .....	9612267101	9612267101	9612267101	9612267101	9612267101	9612267101
15	□ 1	O-ring, NBR .....	9611990079	9611990079	9611990079	9611990079	9611990079	9611990079
16	1	Connex pin .....	9611992358	9611992358	9611992358	9611992358	9611992358	9611992358
17	1	Coupling .....	9612271501	9612271501	9612271502	9612271502	9612271503	9612271503
18	1	Indication pin .....	9612271901	9612271901	9612271901	9612271901	9612271901	9612271901
19	1	Water rejector .....	9611417750	9611417750	9611417750	9611417750	9611417750	9611417750

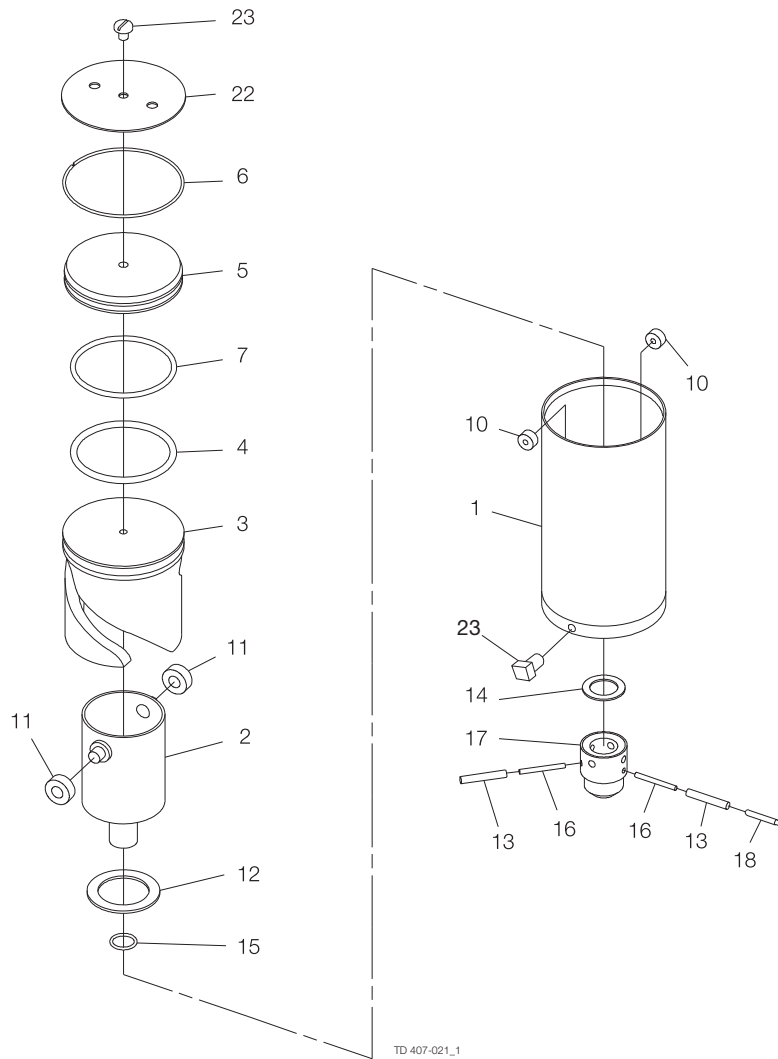
Service kits for actuator

Service kits, air/spring ..... 9611923020

Parts marked with □ are included in the service kit.

Recommended spare parts: service kit.

900131



Pos	Qty	Denomination	101.6 mm		
			DN 100 Disc □ 12	DN 125 Disc □ 14	DN 150 Disc □ 15
1	1	Air Cylinder .....	9612268501	9612268501	9612268501
2	1	Rotating cylinder .....	9612267801	9612267801	9612267801
3	1	Piston .....	9612268001	9612268001	9612268001
4	□ 1	O-ring, NBR .....	9611992367	9611992367	9611992367
5	1	End cap, (Period: 0011- ) .....	9612267501	9612267501	9612267501
	1	End cap, (Period:9001 - 0011) .....	9612271401	9612271401	9612271401
6	1	Retaining ring .....	9612268201	9612268201	9612268201
7	□ 1	O-ring , NBR .....	9611990035	9611990035	9611990035
10	□ 2	Needle bearing .....	9611991231	9611991231	9611991231
11	□ 2	Needle bearing .....	9611992355	9611992355	9611992355
12	□ 1	Thrust bearing .....	9611992347	9611992347	9611992347
13	2	Connex pin .....	9611992358	9611992358	9611992358
14	1	Thrust plate .....	9612280401	9612280401	9612280401
15	□ 1	O-ring, NBR .....	9611990079	9611990079	9611990079
16	2	Connex pin .....	9611992357	9611992357	9611992357
17	1	Coupling .....	9612282701	9612282702	9612282703
18	1	Indication pin .....	9612271901	9612271901	9612271901
22	1	Retaining plate .....	9612348601	9612348601	9612348601
23	1	Threaded plug .....	9611991221	9611991221	9611991221

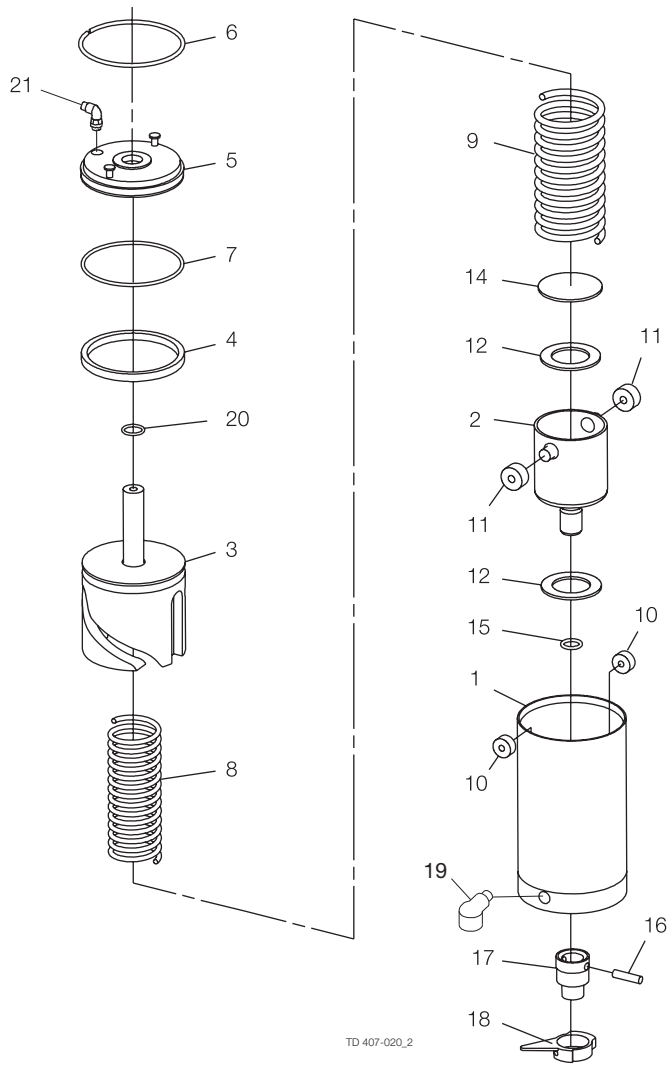
**Service kits for actuator**

Service kits, air/air ..... 9611923022

Parts marked with □ are included in the service kit.

Recommended spare parts: service kit.

900132/1



LKLA-T actuator air/spring (NC-NO) ø85

Pos	Qty	Denomination	NC	NC	NC	NO	NO	NO
			25-63.5 mm DN 25-50 Disc □ 8	76 mm DN 65-80 Disc □ 10	101.6 mm DN 100 Disc □ 12	25-63.5 mm DN 25-50 Disc □ 8	76 mm DN 65-80 Disc □ 10	101.6 mm DN 100 Disc □ 12
1	1	Air cylinder .....	9611417580	9611417580	9611417580	9611417580	9611417580	9611417580
2	1	Rotating cylinder .....	9611416380	9611416380	9611416380	9611416380	9611416380	9611416380
3	1	Piston .....	9612193902	9612193902	9612193902	9612193901	9612193901	9612193901
4	□ 1	O-ring, NBR .....	9611990052	9611990052	9611990052	9611990052	9611990052	9611990052
5	1	End cap .....	9612193601	9612193601	9612193601	9612193601	9612193601	9612193601
6	1	Retaining ring .....	9611402021	9611402021	9611402021	9611402021	9611402021	9611402021
7	□ 1	O-ring, NBR .....	9611990396	9611990396	9611990396	9611990396	9611990396	9611990396
8	1	Inner spring .....	9611991629	9611991629	9611991629	9611991629	9611991629	9611991629
9	1	Outer spring .....	9611991631	9611991631	9611991631	9611991631	9611991631	9611991631
10	□ 2	Needle bearing .....	9611991230	9611991230	9611991230	9611991230	9611991230	9611991230
11	□ 2	Needle bearing .....	9611991231	9611991231	9611991231	9611991231	9611991231	9611991231
12	□ 2	Thrust bearing .....	9611991236	9611991236	9611991236	9611991236	9611991236	9611991236
14	1	Thrust plate .....	9611416460	9611416460	9611416460	9611416460	9611416460	9611416460
15	□ 1	O-ring, NBR .....	9611991233	9611991233	9611991233	9611991233	9611991233	9611991233
16	1	Connex pin .....	9611991235	9611991235	9611991235	9611991235	9611991235	9611991235
17	1	Coupling .....	9611416440	9611416450	9612044703	9611416440	9611416450	9612044703
18	1	Activating ring with screw .....	9611416690	9611416690	9611416690	9611416690	9611416690	9611416690
19	1	Water rejector (period 8310- ) ....	9611417750	9611417750	9611417750	9611417750	9611417750	9611417750
20	□ 1	O-ring, NBR .....	22340421	22340421	22340421	22340421	22340421	22340421
21	1	Air fitting .....	9611991988	9611991988	9611991988	9611991988	9611991988	9611991988

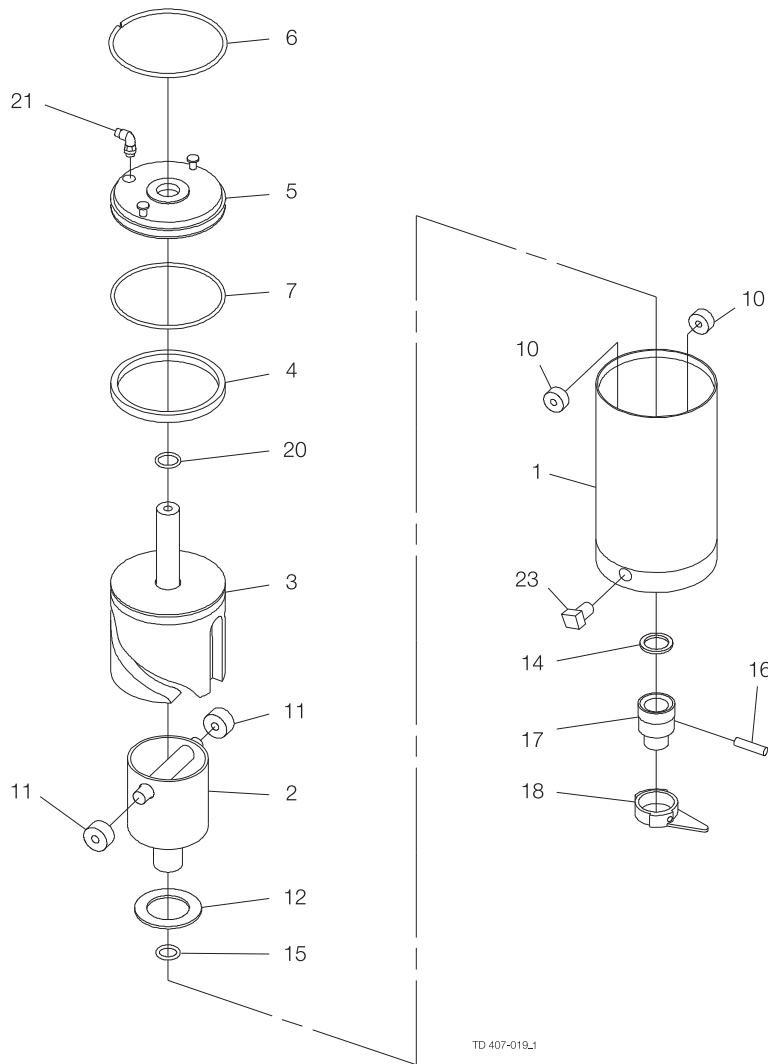
**Service kits for actuator**

Service kits, air/spring ..... 9611923021

Parts marked with □ are included in the service kit.

Recommended spare parts: service kit.

900133/1





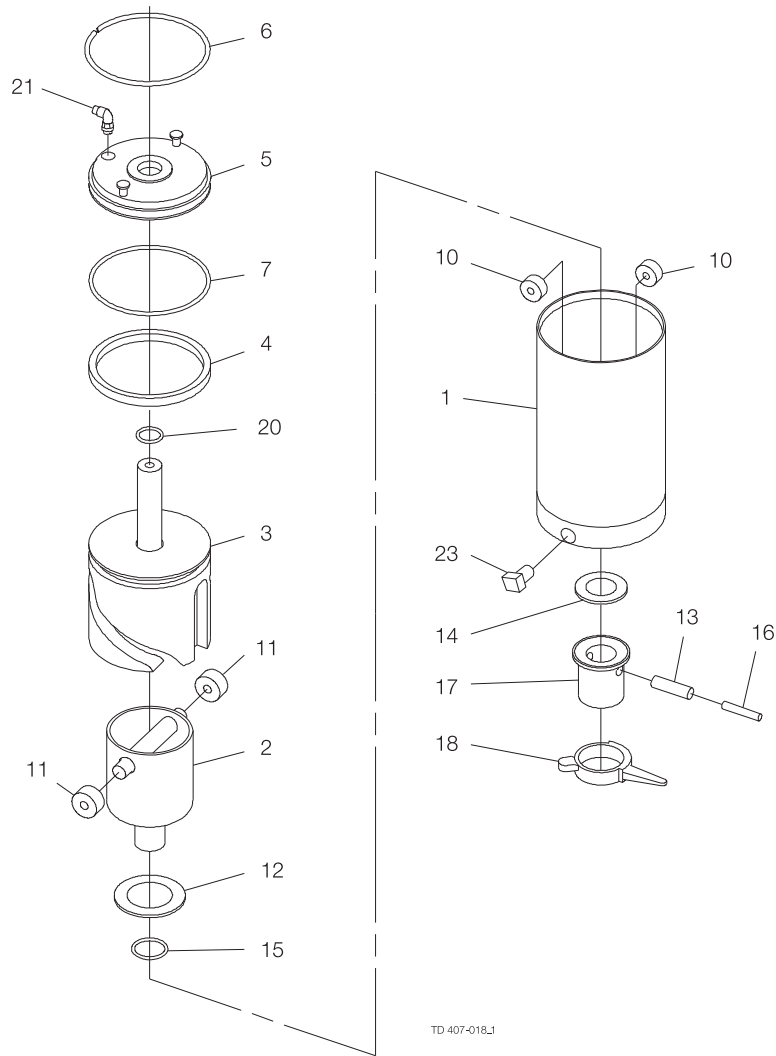
Pos	Qty	Denomination	25-63.5 mm	76 mm	101.6 mm
			DN 25-50 Disc □ 8	DN 65-80 Disc □ 10	DN 100 Disc □ 12
1	1	Air cylinder .....	9611417580	9611417580	9611417580
2	1	Rotating cylinder .....	9611417441	9611417441	9611417441
3	1	Piston .....	9612193903	9612193903	9612193903
4	□ 1	O-ring, NBR .....	9611990052	9611990052	9611990052
5	1	End cap .....	9612193601	9612193601	9612193601
6	1	Retaining ring .....	9611402021	9611402021	9611402021
7	□ 1	O-ring, NBR .....	9611990396	9611990396	9611990396
10	□ 2	Needle bearing .....	9611991230	9611991230	9611991230
11	□ 2	Needle bearing .....	9611991231	9611991231	9611991231
12	□ 1	Thrust bearing .....	9611991236	9611991236	9611991236
14	1	Thrust plate .....	9611417570	9611417570	9611417570
15	□ 1	O-ring, NBR .....	9611991233	9611991233	9611991233
16	1	Connex pin .....	9611991235	9611991235	9611991235
17	1	Coupling .....	9611417551	9611417561	9612044802
18	1	Activating ring with screw .....	9611416690	9611416690	9611416690
20	□ 1	O-ring, NBR .....	22340421	22340421	22340421
21	1	Air fitting .....	9611991988	9611991988	9611991988
23	1	Threaded plug .....	9611991221	9611991221	9611991221

**Service kits for actuator**

Service kits, air/air .....	9611923023
-----------------------------	------------

Parts marked with □ are included in the service kit.

Recommended spare parts: service kit.



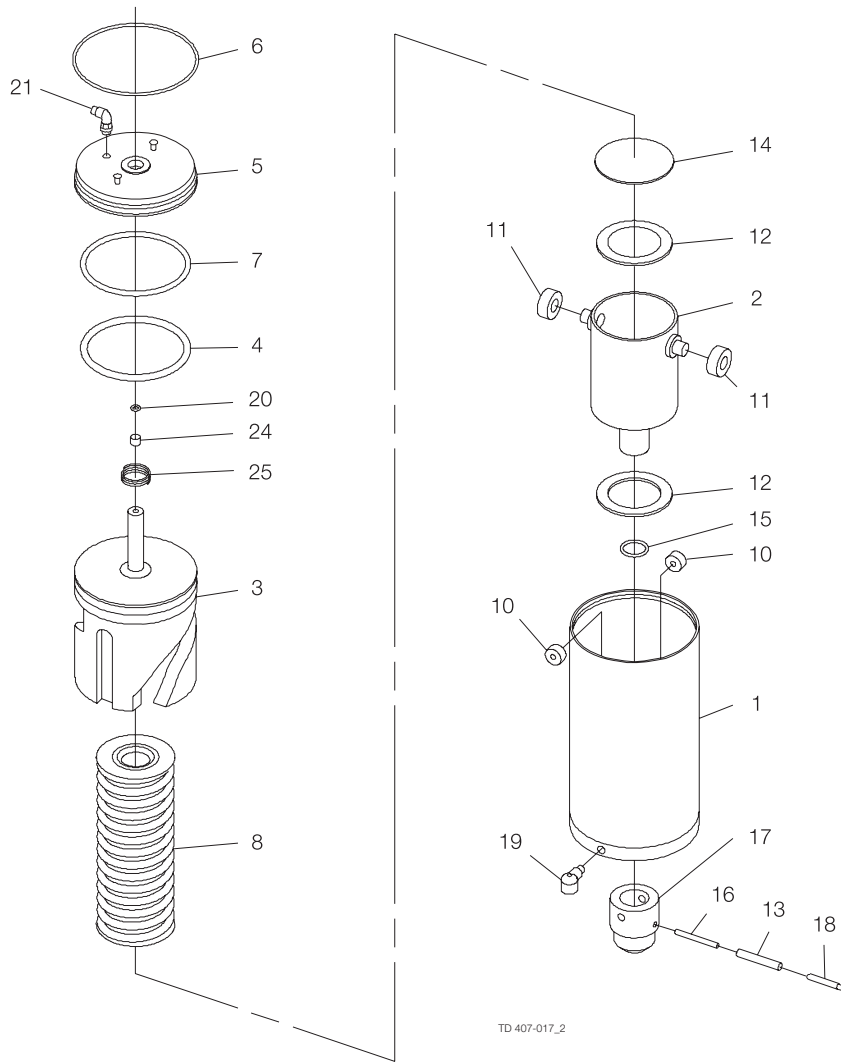
Pos	Qty	Denomination	DN 125	DN 150
			Disc □ 14	Disc □ 15
1	1	Air cylinder .....	9611417420	9611417420
2	1	Rotating cylinder .....	9611417440	9611417440
3	1	Piston .....	9612193903	9612193903
4	□ 1	O-ring, NBR .....	9611990052	9611990052
5	1	End cap .....	9612193601	9612193601
6	1	Retaining ring .....	9611402021	9611402021
7	□ 1	O-ring, NBR .....	9611990396	9611990396
10	□ 2	Needle bearing .....	9611991230	9611991230
11	□ 2	Needle bearing .....	9611991231	9611991231
12	□ 1	Thrust bearing .....	9611991236	9611991236
13	1	Connex pin .....	9611991314	9611991314
14	1	Thrust plate .....	9611417540	9611417540
15	□ 1	O-ring, NBR .....	9611990030	9611990030
16	1	Connex pin .....	9611991313	9611991313
17	1	Coupling .....	9612285602	9611417471
18	1	Activating ring with screw .....	9611416650	9611416650
20	□ 1	O-ring, NBR .....	22340421	22340421
21	1	Air fitting .....	9611991988	9611991988
23	1	Threaded plug .....	9611991221	9611991221

**Service kits for actuator**

Service kits, air/air .....	9611923024
-----------------------------	------------

Parts marked with □ are included in the service kit.  
 Recommended spare parts: service kit.

900135/1



# LKLA-T actuator air/spring (NC-NO) ø133

Pos	Qty	Denomination	NC	NO	NC	NO	NC	NO
			101.6 mm DN 100 Disc □ 12	101.6 mm DN 100 Disc □ 12	DN 125 DN 125 Disc □ 14	DN 125 DN 125 Disc □ 14	DN 150 DN 150 Disc □ 15	DN 150 DN 150 Disc □ 15
1	1	Air cylinder .....	9612268501	9612268501	9612268501	9612268501	9612268501	9612268501
2	1	Rotating cylinder .....	9612267801	9612267801	9612267801	9612267801	9612267801	9612267801
3	1	Piston .....	9612369901	9612369902	9612369901	9612369902	9612369901	9612369902
4	□ 1	O-ring, NBR .....	9611992367	9611992367	9611992367	9611992367	9611992367	9611992367
5	1	End cap .....	9612271402	9612271402	9612271402	9612271402	9612271402	9612271402
6	1	Retaining ring .....	9612268201	9612268201	9612268201	9612268201	9612268201	9612268201
7	□ 1	O-ring, NBR .....	9611990035	9611990035	9611990035	9611990035	9611990035	9611990035
8	1	Spring assembly .....	9612270101	9612270101	9612270101	9612270101	9612270101	9612270101
10	□ 2	Needle bearing .....	9611991231	9611991231	9611991231	9611991231	9611991231	9611991231
11	□ 2	Needle bearing .....	9611992355	9611992355	9611992355	9611992355	9611992355	9611992355
12	□ 2	Thrust bearing .....	9611992347	9611992347	9611992347	9611992347	9611992347	9611992347
13	1	Connex pin .....	9611992357	9611992357	9611992357	9611992357	9611992357	9611992357
14	1	Thrust plate .....	9612267101	9612267101	9612267101	9612267101	9612267101	9612267101
15	□ 1	O-ring, NBR .....	9611990079	9611990079	9611990079	9611990079	9611990079	9611990079
16	1	Connex pin .....	9611992358	9611992358	9611992358	9611992358	9611992358	9611992358
17	1	Coupling .....	9612271501	9612271501	9612271502	9612271502	9612271503	9612271503
18	1	Indication pin .....	9612271901	9612271901	9612271901	9612271901	9612271901	9612271901
19	1	Water rejector (period 8310- ) ....	9611417750	9611417750	9611417750	9611417750	9611417750	9611417750
20	□ 1	O-ring .....	22340421	22340421	22340421	22340421	22340421	22340421
21	1	Air fitting .....	9611991988	9611991988	9611991988	9611991988	9611991988	9611991988
24	□ 1	Guiding ring .....	9612369801	9612369801	9612369801	9612369801	9612369801	9612369801
25	1	Spring .....	9612370001	9612370001	9612370001	9612370001	9612370001	9612370001

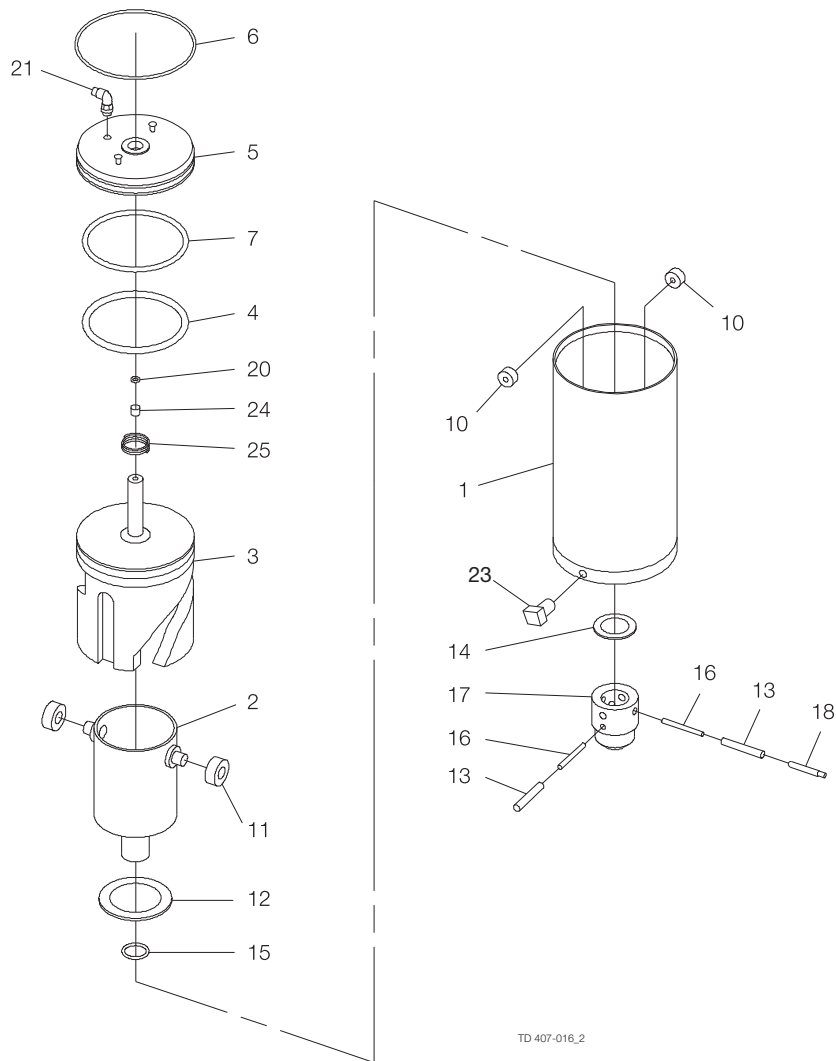
## Service kits for actuator

Service kits, air/spring ..... 9611923056

Parts marked with □ are included in the service kit.

Recommended spare parts: service kit.

900136



Pos	Qty	Denomination	9612374908		
			101.6 mm DN 100 Disc □ 12	9612374913 DN 125 Disc □ 14	9612374918 DN 150 Disc □ 15
1	1	Air cylinder .....	9612268501	9612268501	9612268501
2	1	Rotating cylinder .....	9612267801	9612267801	9612267801
3	1	Piston .....	9612369902	9612369902	9612369902
4	□ 1	O-ring, NBR .....	9611992367	9611992367	9611992367
5	1	End cap .....	9612271402	9612271402	9612271402
6	1	Retaining ring .....	9612268201	9612268201	9612268201
7	□ 1	O-ring, NBR .....	9611990035	9611990035	9611990035
10	□ 2	Needle bearing .....	9611991231	9611991231	9611991231
11	□ 2	Needle bearing .....	9611992355	9611992355	9611992355
12	□ 1	Thrust bearing .....	9611992347	9611992347	9611992347
13	2	Connex pin .....	9611992358	9611992358	9611992358
14	1	Thrust plate .....	9612280401	9612280401	9612280401
15	□ 1	O-ring, NBR .....	9611990079	9611990079	9611990079
16	2	Connex pin .....	9611992357	9611992357	9611992357
17	1	Coupling .....	9612282701	9612282702	9612282703
18	1	Indication pin .....	9612271901	9612271901	9612271901
20	□ 1	O-ring, NBR .....	22340421	22340421	22340421
21	1	Air fitting .....	9611991988	9611991988	9611991988
23	1	Threaded plug .....	9611991221	9611991221	9611991221
24	□ 1	Guiding band .....	9612369801	9612369801	9612369801
25	1	Spring .....	9612370001	9612370001	9612370001

**Service kits for actuator**

Service kits, air/air ..... 9611923057

Parts marked with □ are included in the service kit.

Recommended spare parts: service kit.

**How to contact Alfa Laval**

Contact details for all countries are continually updated on our website.

Please visit [www.alfalaval.com](http://www.alfalaval.com) to access the information directly.

© Alfa Laval Corporate AB

This document and its contents is owned by Alfa Laval Corporate AB and protected by laws governing intellectual property and thereto related rights. It is the responsibility of the user of this document to comply with all applicable intellectual property laws. Without limiting any rights related to this document, no part of this document may be copied, reproduced or transmitted in any form or by any means (electronic, mechanical, photocopying, recording, or otherwise), or for any purpose, without the expressed permission of Alfa Laval Corporate AB. Alfa Laval Corporate AB will enforce its rights related to this document to the fullest extent of the law, including the seeking of criminal prosecution.